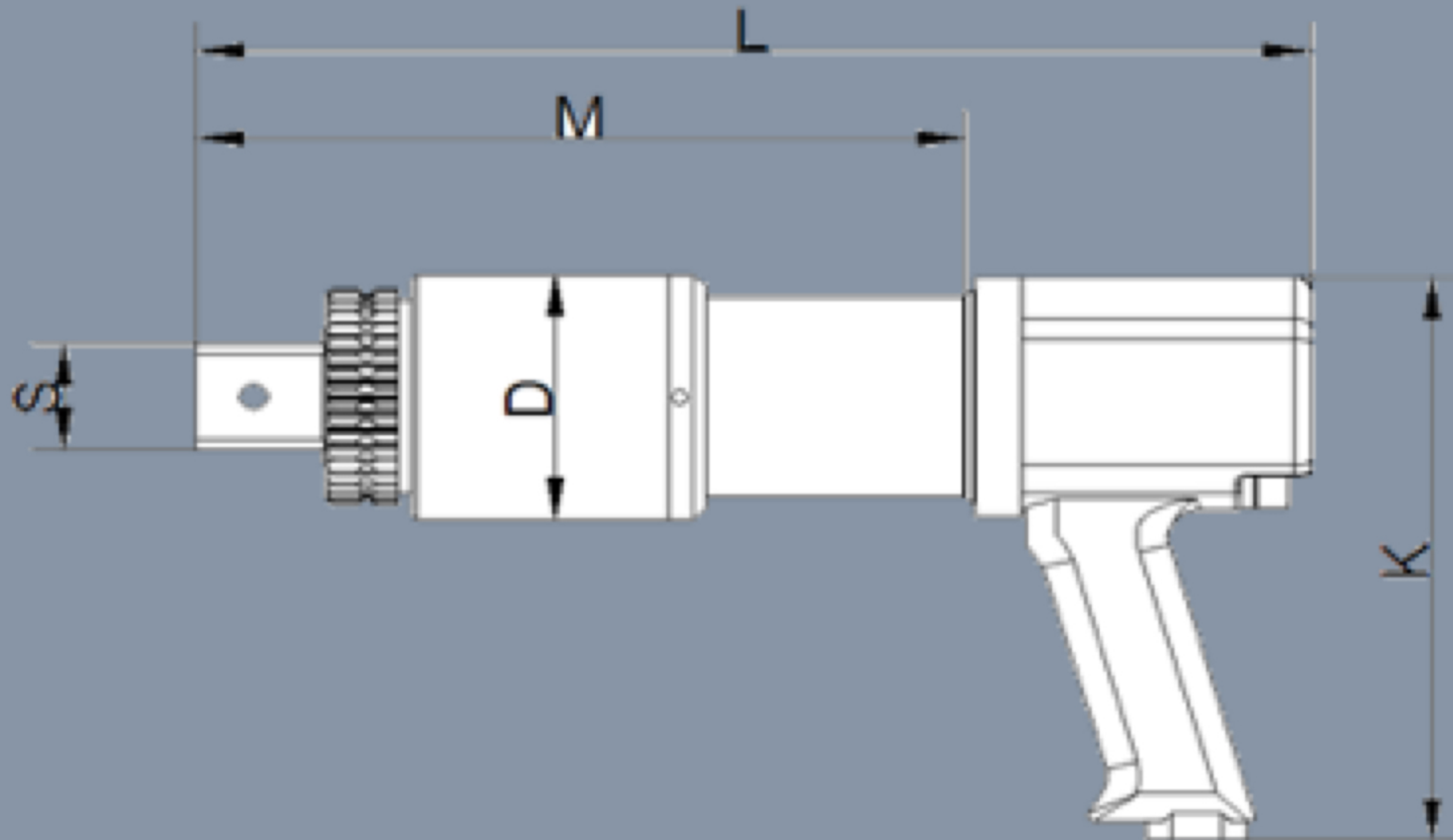


XTR The ideal tool for a range of torques
from 200 Nm to 5000 Nm



- Light and Compact tool design, suitable for a variety of applications
- Heavy Duty Gear Box for longer operational life.
- Low Noise Level with no vibration.
- Accuracy of better than +/- 5% with repeatability within 2% variation.
- Customized Reaction Arm available per customers requirement.



Model Number	Min Torque Ft-Lbs (NM)	Max Torque Ft-Lbs (NM)	Square Drive (S)	Dimension (D)	Dimension (M)	Dimension (L)	Dimension (K)	Weight	RPM
XTR-500	191 (260)	700 (950)	3/4"	2.91" (74mm)	6.77" (172mm)	11.89" (302mm)	7.67" (195mm)	11.9Lbs (5.4Kg)	20,5
XTR-1000	354 (480)	1209 (1640)	1"	3.07" (78mm)	8.42" (214mm)	13.54" (344mm)	7.67" (195mm)	15.2Lbs (6.9Kg)	11,5
XTR-2000	597 (810)	2286 (3100)	1"	3.46" (88mm)	10" (254mm)	15.12" (384mm)	7.67" (195mm)	21.38Lbs (9.7Kg)	5,5
XTR-3000	877 (1190)	3171 (4300)	1 1/2"	3.46" (88mm)	10" (254mm)	15.12" (384mm)	7.67" (195mm)	21.38Lbs (9.7Kg)	3,8
XTR-5000	811 (1100)	4572 (6200)	1 1/2"	4.45" (113mm)	11.14" (283mm)	16.25" (413mm)	7.67" (195mm)	37Lbs (15.1Kg)	2,7

* Tool weight does not include reaction arm